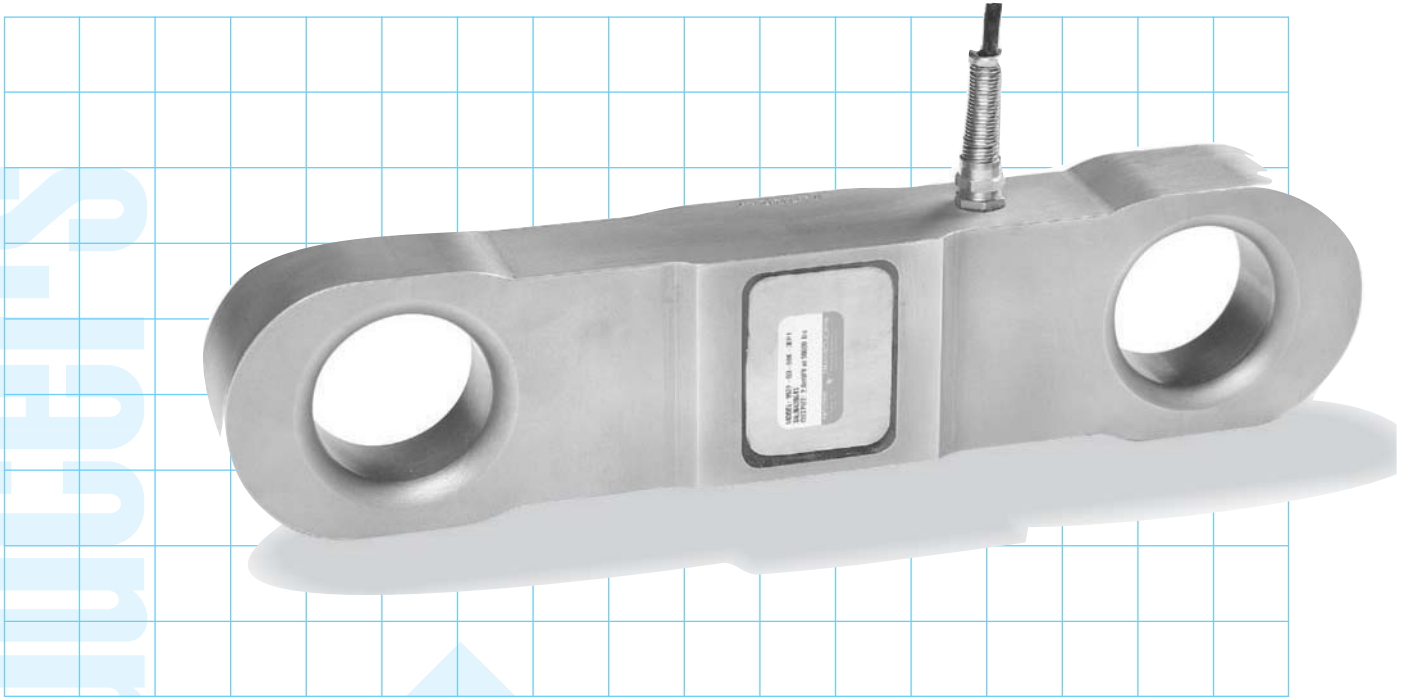


9922 TENSION LINK



FEATURES:

- Capacities: 10 to 200 klb
- Environmental protection: IP67 (DIN 40.050)
- Material: Stainless Steel
- Heavy capacity

DESCRIPTION:

The 9922 Tension Link is designed for special applications requiring heavy capacity.

A reliable sealing and mechanical protection of the strain gauge area is ensured by the use of potting compound with a metal cover.

APPLICATIONS:

- Suspended Silos, Tanks and Hoppers
- Hanging Scales
- Cable Tensioning
- Lifting Cables

APPROVALS:

9922: SPECIFICATIONS

Parameter	Symbol	Unit of Measure	Specification
Capacities	E_{max}	lb	Imperial 10k, 25k, 40k, 50k, 100k, 200k
Accuracy Class			D3
Accuracy Class According to			Non-NTEP
Potentially Explosive Atmospheres options			Not Available
Maximum number of Verification Intervals	n_{ic}		
Minimum Verification Interval	V_{min}		
Combined Error ¹		±%S	0.03
Creep error (20 minutes)		±%S	0.03
Temperature Effect on Zero	TC_0	±%FS/5°C (°F)	0.0135 (0.0015)
Temperature Effect on Output	TC_S	±%S/5°C (°F)	0.0072 (0.0008)
Rated Output	FS	mV/V	3 ± 0.008
Compensated Temperature Range	T_{cps}	°C (°F)	-10 to +40 (+14 to +104)
Operating Temperature Range	T_{opr}	°C (°F)	-53 to +93 (-65 to +200)
Environmental Protection			IP67
Cable Length		m (ft)	9 (30)
Cable Type			4 Wire shielded, Shield is not connected to load cell body
Zero Balance		±%FS	1.0
Safe Load Limit	E_{lim}	% E_{max}	150
Ultimate Load	E_{ult}	% E_{max}	300
Safe Side Load Limit		% E_{max}	100
Excitation Voltage		Volt AC or DC	10 Recommended, 15 Maximum
Input Resistance		Ohm	700.0 ± 7.0
Output Resistance		Ohm	700.0 ± 7.0
Insulation Resistance at 50 VDC		Mega Ohm	>5000
Element Material		ASTM	Stainless steel

Notes:

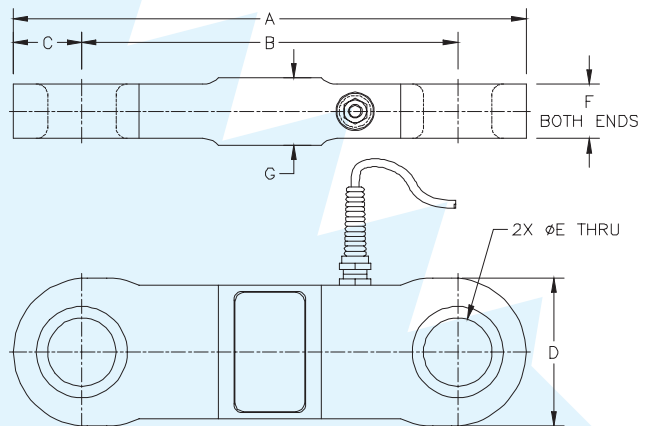
- We continually improve our products and therefore specifications are subject to change without notice.
- The accuracy may be affected if 4-wire load cell cables are shortened.

[1] Includes the effects of Non-Linearity and Hysteresis.

Wiring color code:

Excitation +	Red
Excitation -	Black
Output +	Green
Output -	White
Shield	Transparent

Capacity	Dimensions in inches		
	10 - 25k	40 - 50k	100 -200k
A	11.25	14.33	15.00
B	8.25	10.00	10.00
C	1.50	2.17	2.50
D	3.25	3.25	4.25
E	1.50	2.13	2.31
F	1.20	1.60	2.38
G	1.48	1.92	2.92



Mounting:

Correct mounting of the load cells is essential to ensure optimum accuracy and performance. Further information is available on request.

No Mounts necessary for 9922.

Attention: All dimension tolerances according to ISO 2768m, unless otherwise specified.

VISHAY REVERE TRANSDUCERS
 Ramshoorn 7
 4824 AG Breda
 The Netherlands
 Tel.: (+31) 76 5412854
 Fax: (+31) 76 5480700
 E-mail: info@revere.nl or vt.nl@vishaymg.com
 www.revere.nl or www.vishaymg.com

VISHAY TRANSDUCERS
 801 Sentous Avenue
 CITY OF INDUSTRY, CA 91748
 U.S.A.
 Tel.: +1 -626-858-8899
 Fax: +1 -626-332-3418
 E-mail: vt.us@vishaymg.com