

KSR SINGLE COLUMN COMPRESSION CELL



DESCRIPTION:

The KSR is a sealed, single column, compression load cell.

This product is suitable for high capacity platform scales and level control or process weighing in general.

A reliable sealing and mechanical protection of the strain gauge area is ensured by the use of stainless steel diaphragms and a housing which are cemented to the measuring element.

FEATURES:

- Low profile design
- Sealing: IP66 (EN 60.529)
- Trimmed output ensures easy and accurate parallel connection of multiple load cells
- Specially designed mounting arrangements are available for vessel weighing
- **CAPACITIES: 6 → 280t**

KSR: SPECIFICATIONS

Standard Capacities (=E _{max})	t	6, 13, 28, 60, 130, 280	
Accuracy According to Type Designation		R2	R1
Combined Error	%S	≤±0.2000	≤±0.1000
Hysteresis	%S	≤±0.1000	≤±0.0500
Minimum Dead Load Output Return ¹	%S	≤±0.0700	≤±0.0500
Creep Error (30 minutes) ¹	%S	≤±0.0800	≤±0.0600
Creep Error (20 - 30 minutes) ¹	%S	≤±0.0200	≤±0.0150
Temperature Effect on Min. Dead Load Output.	%S/5°C	≤±0.2500	≤±0.2500
Temperature Effect on Sensitivity	%S/5°C	≤±0.2500	≤±0.2500
Minimum Dead Load	%E _{max}	0	
Maximum Safe Over Load	%E _{max}	120	
Ultimate Overload (static and dynamic)	%E _{max}	300	
Maximum Safe Side Load	%E _{max}	10	
Deflection at E _{max}	mm	0.35/ 0.53/ 0.80/ 1.22/ 1.85/ 2.67	
Excitation Voltage	V	5-12	
Maximum Excitation Voltage	V	15	
Rated Output (=S)	mV/V	1.5 ±0.008	
Zero Balance	%S	≤±1.5	
Input Resistance	Ω	±275	
Output Resistance	Ω	245 ± 0.2	
Insulation Resistance	MΩ	≥50	
Compensated Temperature Range	°C	-10...+60	
Operating Temperature Range	°C	-20...+70	
Storage Temperature Range	°C	-30...+80	
Housing		Tool steel, Epoxy coated, stainless steel diaphragms	
Sealing (EN 60.529 / IEC 529)		IP66	

¹ Applies for the temperature range -10 to +60°C

The correct mounting of the load cells is essential to ensure optimum performance. Further information is available on request.

Cable specifications:

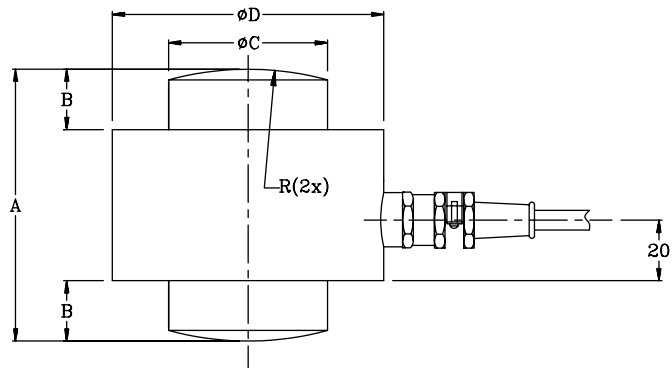
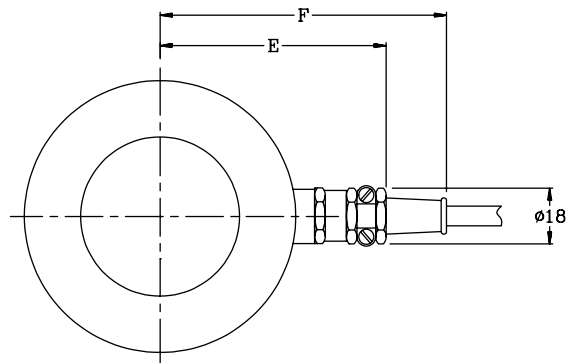
Cable length	10m (6t version: 5m).
Excitation+	Red
Excitation -	White
Output+	Black
Output -	Blue
Shield	Transparent / Yellow

Cable screen is not connected to load cell body.

Attention:

Dimensions: mm.

All dimension tolerances according to ISO 2768m, unless otherwise specified.



REVERE TRANSDUCERS EUROPE B.V.

Ramshoorn 7
Postbus 6909, 4802 HX Breda
The Netherlands
Tel: (+31) 76-5480700
Fax: (+31) 76-5412854
E-mail: info@revere.nl

REVERE TRANSDUCERS INC.

14192 Franklin Ave
Tustin, CA 92780-7016, U.S.A.
Tel: (+1) 714.731.1234
Fax: (+1) 714.731.2019
E-mail: info@reveretransducers.com

E _{max}	6	13	28	60	130	280
A	56	68	74	90	116	170
B	8	12	14	20	26	45
C	16.7	24.5	36.0	52.7	77.5	114
D	45	55	64	90	121	165
E	52.5	57.5	62.0	75.0	90.5	112.5
F	71.5	76.5	81	94	109.5	131.5
R	50	66	72	100	125	183

All specifications subject to change without notice

4/9/68/01 E

REGIONAL OFFICE UK

The Business Centre
Edward Street, Redditch
Worcs B97 6HA, UK
Tel: (+44) 152-765888
Fax: (+44) 152-764888
E-mail: alittlejohn@revere.nl