

Weighing Solutions for the Aviation Industry

Market Solutions



Auf den folgenden Seiten finden Sie Informationen über:

Das Jet Weigh System in seiner fünften Generation:

komfortabel und mit Schwerpunktsberechnung

Das Road Runner System als Jack-Point-Variante:

preisgünstig, vielseitig und mit neuer
Auswerte-Elektronik EW9150

Das Road Runner System als Plattform-Variante:

einfache und schnelle Handhabung mit neuer
Auswerte-Elektronik EW9150

Alle Systeme stehen für Sie in vielen verschiedenen
Nennlasten, passend zu Ihren Maschinen zur Verfügung.

ZELO
Konstruktions und Vertriebs GmbH
Daimlerstraße 11
64646 Heppenheim

Fon +49 6252 9318-0
Fax +49 6252 9318-10
Mail info@zelo.biz
Web www.zelo.biz

Aircraft Weight and Balance



We Know Aircraft Weighing

Revere and Evergreen Weigh are the two best known brands in the industry.

Since 1941, we have been designing and building high-performance aircraft weighing systems backed by repair and calibration for customers worldwide. During this time, we have acquired the knowledge and experience to continually improve the features, functions and performance of our aircraft weighing systems. We also know the importance of excellent customer service and support for the aircraft weighing systems we manufacture and the customers who use them.

Revere JetWeigh™ with G4 Instrument

JetWeigh-5™ Jack Point Aircraft Weighing System

The JetWeigh-5 System integrates high-accuracy hermetically sealed load cells with the advanced state-of-the-art G4 digital weighing processor, resulting in an accurate, highly reliable, robust, and easy-to-use system for weighing aircraft.

Features

- Capacity range: 15,000 to 600,000 lbs
- Synchronized sampling of all weight channels results in accurate measurement, minimizing the effects of vibration, oscillation, and wind
- User-friendly, color graphic display with touch screen
- Robust and reliable operation
- Accuracy of $\pm 0.1\%$ of applied load, or $\pm 0.02\%$ of channel capacity, whichever is greater
- Center of gravity calculation function
- G-factor compensation between calibration and operation locations enables accurate and simple operation
- Library of up to 200 aircraft types and characteristics
- Aircraft weights are stored in history file for future comparison and data validation
- Hermetically sealed, compact stainless steel load cells



Additional Services and Products—Calibration and Repair Service

Our state-of-the-art calibration and service centers in California and Sweden, are staffed with trained technicians who have experience on all generations of JetWeigh and Road Runner aircraft kits. A stock of spare parts enables fast calibration and repairs. We offer Fast Track calibration and repair to support AOG or other quick-turn situations.

Evergreen Weigh Road Runner™ Systems with EW9150 Indicator

Road Runner Weighing Systems are ideal for weighing aircraft or helicopters to verify CG or after retrofitting new equipment. The EW9150 Indicator is offered with both the Jack Point System and the Platform Wheel Weigher System. Color-coded cables and indicator connectors make it quick and easy to set up a system in a matter of minutes and eliminate errors. The easy-to-use full-function EW9150 digital indicator provides both individual wheel weight and total aircraft weight.

Primary System Features

- Accuracy of $\pm 0.1\%$ of applied load or $\pm 0.02\%$ of channel capacity, whichever is greater
- 1 to 5 channels of input for weighments
- Operates on 90–240VAC, 50/60 Hz.
- RS-232 for PC data storage or printer
- Graphic color TFT display with LED backlight



Jack Point Aircraft Weighing System

The Road Runner Jack Point Weighing System uses precision load cells that fit on top of existing aircraft jacks. This system provides easy operation and accurate weighments.

Specific System Features

- 10,500 to 400,000 lbs capacity
- Stainless-steel, hermetically sealed load cells
- Operating temperature range $+14^{\circ}\text{F}$ to $+120^{\circ}\text{F}$
(-10°C to 50°C)
- Roll-around storage and transportation case



Three- or Four-Platform Wheel Weigher System

The Road Runner Wheel Weigher System provides fast, accurate weight readings for a variety of light to medium applications. Each system is designed for easy transportation. The platforms are cast aluminum with non-slip surface combined with stainless-steel, hermetically sealed, precision load cells designed to achieve accurate weighments.

Specific System Features

- 7,500 to 75,000 lbs capacity
- Cast aluminum platforms, interlocking ramps, and wheel chocks
- Stainless-steel, hermetically sealed load cells
- Operating temperature range $+14^{\circ}\text{F}$ to $+120^{\circ}\text{F}$
(-10°C to 50°C)



Revere Aircraft Weighing System

SYSTEM FEATURES

- Capacity range—15,000 to 600,000 pounds
- Accuracy of $\pm 0.1\%$ of applied load, or $\pm 0.02\%$ of channel capacity, whichever is greater
- G-factor compensation between calibration and operation locations enables accurate and simple operation
- Hermetically sealed, compact stainless steel load cells
- User-friendly, color graphic display with touch screen
- Robust and reliable operation

SOFTWARE FEATURES

- Synchronized sampling of all weight channels minimizes the effect of vibration, oscillations and wind
- On-board automatic center of gravity calculation
- Re-configurable load cell arrangement
- 3 weight modes meet different environmental conditions
- Automatic latitude and altitude adjustment of weight value
- Automatic zero tracking
- On-board library of up to 200 aircraft types and characteristics
- Diagnostic algorithms check for system errors
- Aircraft weights stored in history file for future comparison and data validation

APPLICATIONS

- Routine weight and center-of-gravity monitoring
- Weight checks after airframe repairs and modifications
- Design proving weight and center-of-gravity determinations

DESCRIPTION

The JetWeigh-5™ Aircraft Weighing System integrates state-of-the-art technology in digital weighing processing and high-accuracy hermetically sealed load cells. The integration of high performance load cells with modern,



advanced weighing processor (G4) results in an accurate, highly reliable, robust, and easy-to-use system for weighing aircraft.

Synchronized sampling of all load cells ensures correct weighing even under severe vibration and oscillation conditions.

The user terminal, a PC-based multi-channel indicator, handles up to 5 load cells. Its color graphic display with touch screen provides intuitive step-by-step operation, including advanced functions such as CG calculation, aircraft type library, weighing history, latitude and altitude adjustment, and printouts of weight results.

SYSTEM COMPONENTS	CENTER-OF-GRAVITY ACCESSORY KIT
<ul style="list-style-type: none"> • 3 to 5 load cells • Rugged weighing user terminal • On-board thermal printer • Power supply and power cord • Center-of-gravity accessory kit • Jack adapters, cables • Rugged fiberglass carrying case 	<ul style="list-style-type: none"> • Level and level bar • Plumb bob assembly (2) • Chalk and line • Hydrometers (2) • Fuel dipper • Hydrometer jar and stand • Leveling bar • 50-ft Steel tape • Screwdriver • 12-in Steel ruler

JetWeigh-5™ Jack Point



Revere Aircraft Weighing System

SPECIFICATIONS					
PARAMETER	DESCRIPTION				
SYSTEM					
Accuracy	0.1% of applied load or 0.02% of channel capacity, whichever is greater				
Calibration method	Dead weight calibration of load cells in factory				
Power	110–240 VAC with 1,2 A				
Environmental protection	Load cells—IP65; kit case—high-impact fiberglass carrying case				
Environmental conditions	Operating temperature	+14°F to +120°F (–10°C to +50°C)			
	Storage temperature	–4°F to +140°F (–20°C to +60°C)			
	Humidity	95% RH, non-condensing			
KIT CONFIGURATON					
PARAMETER	MODEL				
	JW-15J5	JW-20J5	JW-30J5	JW-40J5	JW-75J5
No. of load cells	3	4	3	4	3
Cell capacity (lb)	5,000		10,000		25,000
Kit capacity (lb)	15,000	20,000	30,000	40,000	75,000
Part number	64001-00J5	64001-01J5	64001-02J5	64001-03J5	64001-04J5
Resolution (lb)	0.5	0.5	1	1	2
Kit weight (lb)	72	78	72	78	72
Kit dimensions (in)	32.88" L X 17.5" W X 8.75" H				
	JW-100J5	JW-150J5	JW-200J5	JW-300J5	JW-400J5
No. of load cells	4	3	4	3	4
Cell capacity (lb)	25,000	50,000		100,000	
Kit capacity (lb)	100,000	150,000	200,000	300,000	400,000
Part number	64001-05J5	64001-06J5	64001-07J5	64001-08J5	64001-09J5
Resolution (lb)	2	5	5	10	10
Kit weight (lb)	78	72	78	96	110
Kit dimensions (in)	32.88" L X 17.5" W X 8.75" H				
	JW-250J5	JW-425J5	JW-450J5	JW-500J5	JW-600J5
No. of load cells	5	5	5	5	3
Cell capacity, mains (lb)	50,000	100,000			200,000
Cell capacity, nose (lb)	50,000	25,000	50,000	100,000	200,000
Kit capacity (lb)	250,000	425,000	450,000	500,000	600,000
Part number	64001-16J5	64001-12J5	64001-13J5	64001-14J5	64001-15J5
Resolution, mains (lb)	5	10	10	10	20
Resolution, nose (lb)	5	2	5	10	20
SOFTWARE					
Load Cell Sampling	Synchronized sampling of all load cells				
Conversion rate	300 conversions/second per load cell				
Internal resolution	16,777,216 (24 bits)				
Data (displayed and printed)	Gross weight; individual load cell weights (kg, lb and %); CG location (inches, cm, %MAC). System is calibrated in lb or kg.				
Weighing save options	Internal memory; serial interface to download (or synchronize) to a PC				

Evergreen Weigh Aircraft Weighing System with EW9150 Meter

FEATURES

- $\pm 0.1\%$ of applied load or $\pm 0.02\%$ of channel capacity, whichever is greater
- 10,500 to 400,000 lb capacity
- 1 to 5 weighing channels
- 4.3-in graphic color TFT display with LED backlight
- Stainless steel canister and S-type load cells
- RS232 for PC data storage
- **Optional:**
 - Printer
 - Center-of-gravity accessory kit

APPLICATIONS

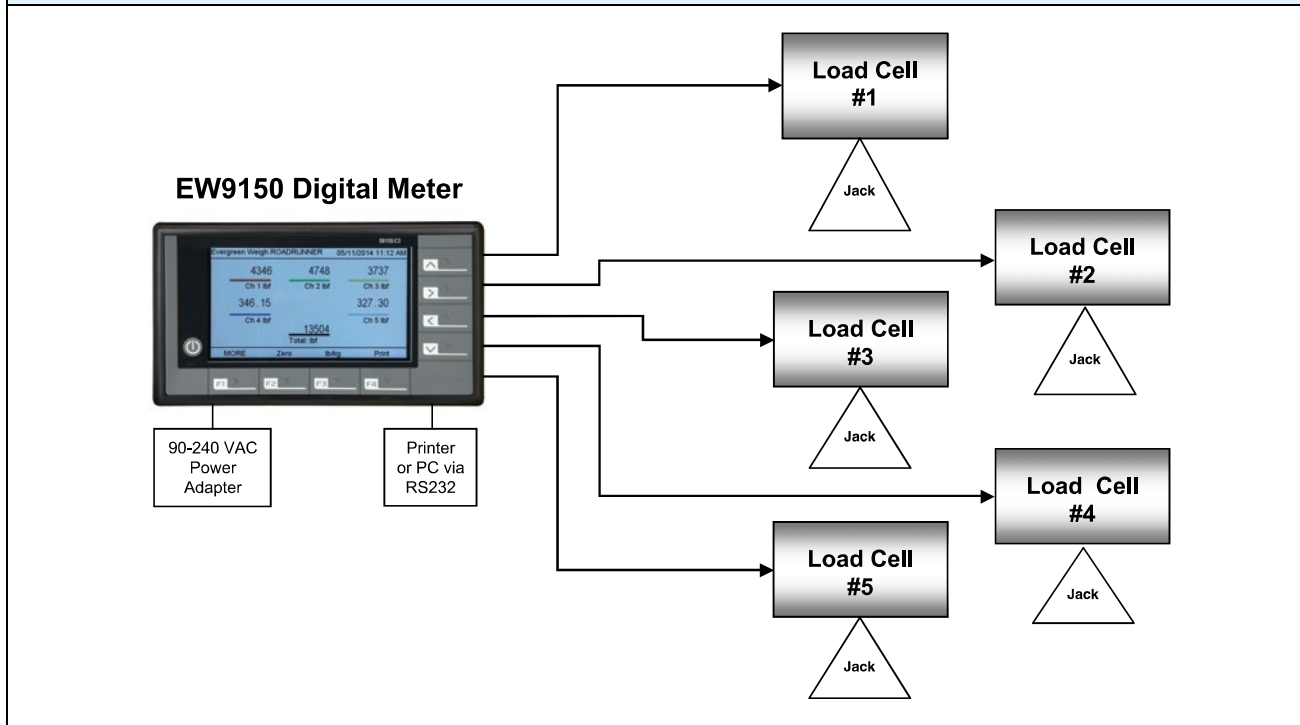
- Aircraft weighing
- Helicopters weighing
- Center of gravity measurement

DESCRIPTION

The Road Runner Jack Point Weighing System is perfect for weighing light to heavy airplanes or helicopters. The EW9150 digital indicator features a graphic color screen with step-by-step operations. Gravity corrections are applied based on customer site parameters of latitude and elevation.



SYSTEM BLOCK DIAGRAM



Road Runner™ Jack Point



Evergreen Weigh Aircraft Weighing System with EW9150 Meter

SPECIFICATIONS		
PARAMETER	DESCRIPTION	
SYSTEM		
Accuracy	+0.1% of applied load or +0.02% of channel capacity, whichever is greater	
Capacity	10,500 to 400,000 lb	
Display resolution	1, 2, or 5 lb; 0.5, 1, or 2 kg	
Number of weighing channels	3 to 5 channels, color coded	
Weight display	Total weight, individual channel weights, in pounds or kilogram	
Weighing functions	System zeroing	
	Automatic zero tracking	
	G-factor compensation (by latitude and elevation)	
METER		
Display	4.3", graphic color TFT display	
Communication	RS232 serial interface to PC and printer	
Power	90–240 VAC, 50/60 Hz	
Environmental conditions	Operating temperature	14°F to 120°F, -10°C to 50°C
	Humidity	Up to 95% relative humidity (non-condensing)
Enclosure dimensions and weight	Load cells and accessories carrying case	31" L x 25" W x 18" H, 55–95 lb
	Meter carrying case	10.5" L x 10" W x 5" D, 5 lb
KIT CONTENT		
Load cells (1 to 5), color-coded cables, power adaptor and cord, load cells adaptors accessories kit, EW9150 meter, rugged carrying case.		

KIT CONFIGURATION ¹						
PARAMETER	MODEL					
	JP5000-3	JP5000-4	JP15000-3	JP15000-4	JP25000-3	JP50000-3
No. of load cells	3	4	3	4	3	3
Cell capacity (lb)	5,000		15,000		25,000	50,000
System capacity (lb)	15,000	20,000	45,000	60,000	75,000	150,000
	JP50000-4	JP100000-3	JP100000-4	JP6000	JP5500	JP200000
No. of load cells	4	3	4	5	3	1
Cell capacity (lb)	50,000	100,000		3 x 5,000 2 x 500	2 x 5,000 1 x 500	200,000
System capacity (lb)	200,000	300,000	400,000	16,000	10,500	200,000

Note

¹ Other configurations available. Contact us for more information.

Evergreen Weigh Platform Wheel Weigher with EW9150 Meter

FEATURES

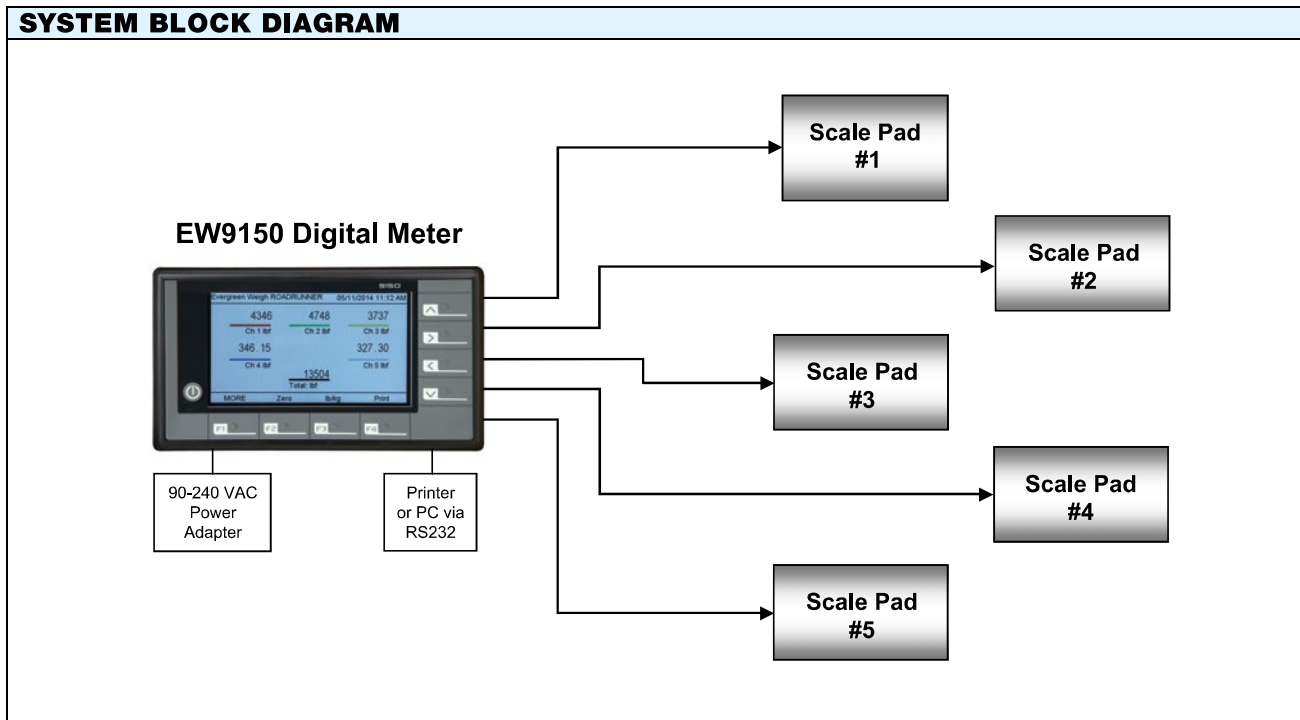
- ±0.1% of applied load or ±0.02% of channel capacity, whichever is greater
- 7,500 to 75,000 lb capacity
- 1 to 5 weighing channels
- 4.3-in graphic color TFT display with LED backlight
- Stainless steel load cells
- Casted aluminum platforms with non-slip surface
- RS232 interface to printer or PC
- **Optional:**
 - Printer
 - Center-of-gravity accessory kit

APPLICATIONS

- Aircraft weighing
- Helicopter weighing
- Racing car weighing
- Center of gravity measurement

DESCRIPTION

The Road Runner Platform Wheel Weigher is perfect for weighing light to heavy airplanes, helicopters or race cars. The EW9150 digital indicator features a graphic color screen with step-by-step operations. Gravity correction are applied based on customer site parameters of latitude and elevation.



Road Runner™ Platform Weigher



Evergreen Weigh Platform Wheel Weigher with EW9150 Meter

SPECIFICATIONS		
PARAMETER	DESCRIPTION	
SYSTEM		
Accuracy	+0.1% of applied load or +0.02% of channel capacity, whichever is greater	
Capacity	7,500 to 75,000 lb	
Display resolution	1, 2, or 5 lb; 0.5, 1, or 2 kg	
Number of weighing channels	1 to 5 channels, color coded	
Weight display	Total weight, individual channel weights, in pounds or kilogram	
Weighing functions	System zeroing	
	Automatic zero tracking	
	G-factor compensation (by latitude and elevation)	
METER		
Display	4.3", graphic color TFT display	
Communication	RS232 serial interface to PC and printer	
Power	90–240 VAC, 50/60 Hz	
Environmental conditions	Operating temperature	14°F to 120°F, -10°C to 50°C
	Humidity	Up to 95% relative humidity (non-condensing)
Enclosure dimensions	Platform and accessories carrying case	30.0" L X 21.5" W X 21" H or 36.5" L x 27" W x 26" H
	Meter carrying case	10.5" L X 10" W X 5" D
KIT CONTENTS		
Platforms (1 to 5), color-coded cables, power adaptor and cord, EW9150 meter, storage and transport case, ramps, stop chocks.		
Certificate of Calibration traceable to N.I.S.T.		

KIT CONFIGURATION ¹						
PARAMETER	MODEL					
	AW2500-3	AW6000/2500-3	AW6000-3	AW10000/6000-3	AW10000-3	AW15000-3
No. of platforms	3	3	3	3	3	3
Cell capacity (lb)	2,500	2 X 6,000 1 X 2,500	6,000	2 X 10,000 1 X 6,000	10,000	15,000
System capacity (lb)	7,500	14,500	18,000	26,000	30,000	45,000
	RR2500-4	RR6000-4	RR10000-4	RR15000-4		
No. of platforms	4	4	4	4		
Cell capacity (lb)	2,500	6,000	10,000	15,000		
System capacity (lb)	10,000	24,000	40,000	60,000		

Note

¹ Other configurations available. Contact us for more information.

Contact

ZELO Konstruktions und Vertriebs GmbH
Daimlerstr. 11
64646 Heppenheim

Fon +49 6252 9318-0
Fax +49 6252 9318-10
Mail info@zelo.biz
Web www.zelo.biz

www.zelo.biz

DISCLAIMER: ALL PRODUCTS, PRODUCT SPECIFICATIONS AND DATA ARE SUBJECT TO CHANGE WITHOUT NOTICE. Vishay Precision Group, Inc., its affiliates, agents, and employees, and all persons acting on its or their behalf (collectively, "VPG"), disclaim any and all liability for any errors, inaccuracies or incompleteness contained herein or in any other disclosure relating to any product. The product specifications do not expand or otherwise modify VPG's terms and conditions of purchase, including but not limited to, the warranty expressed therein. VPG makes no warranty, representation or guarantee other than as set forth in the terms and conditions of purchase. **To the maximum extent permitted by applicable law, VPG disclaims (i) any and all liability arising out of the application or use of any product, (ii) any and all liability, including without limitation special, consequential or incidental damages, and (iii) any and all implied warranties, including warranties of fitness for particular purpose, non-infringement and merchantability.** Information provided in datasheets and/or specifications may vary from actual results in different applications and performance may vary over time. Statements regarding the suitability of products for certain types of applications are based on VPG's knowledge of typical requirements that are often placed on VPG products. It is the customer's responsibility to validate that a particular product with the properties described in the product specification is suitable for use in a particular application. You should ensure you have the current version of the relevant information by contacting VPG prior to performing installation or use of the product, such as on our website at vpgsensors.com. No license, express, implied, or otherwise, to any intellectual property rights is granted by this document, or by any conduct of VPG. The products shown herein are not designed for use in life-saving or life-sustaining applications unless otherwise expressly indicated. Customers using or selling VPG products not expressly indicated for use in such applications do so entirely at their own risk and agree to fully indemnify VPG for any damages arising or resulting from such use or sale. Please contact authorized VPG personnel to obtain written terms and conditions regarding products designed for such applications. Product names and markings noted herein may be trademarks of their respective owners.